

# FLOW PULSE

## Technical Specifications:

Flow Pulse is a unique, non-invasive flow sensor that clamps to the outside of a pipe and is simply secured with a screwdriver. Flow Pulse offers you exceptional repeatability at a fraction of the cost of an equivalent mag flow meter. It can reliably monitor flow across a variety of pipe materials including rigid plastic, stainless steel, cast iron, and even corrugated pipes.



### PHYSICAL

<b>Sensor Body Dimensions:</b>	120 mm x 65 mm x 65 mm (4.75 in x 2.6 in x 2.6 in)
<b>Weight:</b>	Nominal 1.5 kg (3.3 lb)
<b>Enclosure Material/Description:</b>	Type 316 stainless steel casting
<b>Cable Entry Detail:</b>	1 cable entry M20 x 1.5 mm (0.06 in) gland
<b>Maximum Separation:</b>	Up to 500 m (1,640 ft)

### ENVIRONMENTAL

<b>IP Rating:</b>	IP68 (Optional versions of the sensor can be supplied, fitted with factory potted cable)
<b>Max. &amp; Min. Temperature (Electronics):</b>	-20 °C to +70 °C (-4 °F to +158 °F)
<b>CE Approval:</b>	Listed in the Certificate of Conformity within the manual

### PERFORMANCE

<b>Accuracy/Repeatability:</b>	±5% typical subject to installation and pipe conditions
<b>Resolution:</b>	3 mm/s (0.12 in/s)
<b>Velocity Range:</b>	<ul style="list-style-type: none"> <li>• 0.3 m/s to 4.0 m/s (0.98 ft/s to 13.12 ft/s) <i>standard version</i> (or)</li> <li>• 0.3 m/s to 10 m/s (0.98 ft/s to 32.81 ft/s) <i>high flow version</i></li> </ul>
<b>Response Time:</b>	Fully adjustable (1 second minimum)
<b>Minimum Particle Size:</b>	>100 µm
<b>Minimum Particle Concentration:</b>	>200 ppm
<b>Pipe Diameter:</b>	<ul style="list-style-type: none"> <li>• V1: 30 mm to 350 mm (1.2 in to 14 in) (or)</li> <li>• V2: 30 mm to 1250 mm (1.2 in to 49.2 in) (or)</li> <li>• V3: up to 2,000 mm (78.74 in)</li> </ul>
<b>Pipe Wall Thickness:</b>	Metal or rigid pipe up to 20 mm (0.8 in) thick
<b>Signal Processing:</b>	RSSA (Refracted Spread Spectrum Analysis)

### OUTPUTS

<b>Analog Output:</b>	4-20mA into a 1 kΩ load (when supply voltage is 22 V DC or greater) with 20 µA resolution and user programmable span.
<b>Digital Output:</b>	Full Duplex RS232 to PC Software, Half Duplex RS485 to PC Software, Half Duplex RS485 with Modbus RTU
<b>Volt Free Contacts, Number and Rating:</b>	1 form "C" (SPDT) rated at 1 A at 24 V DC

## PROGRAMMING

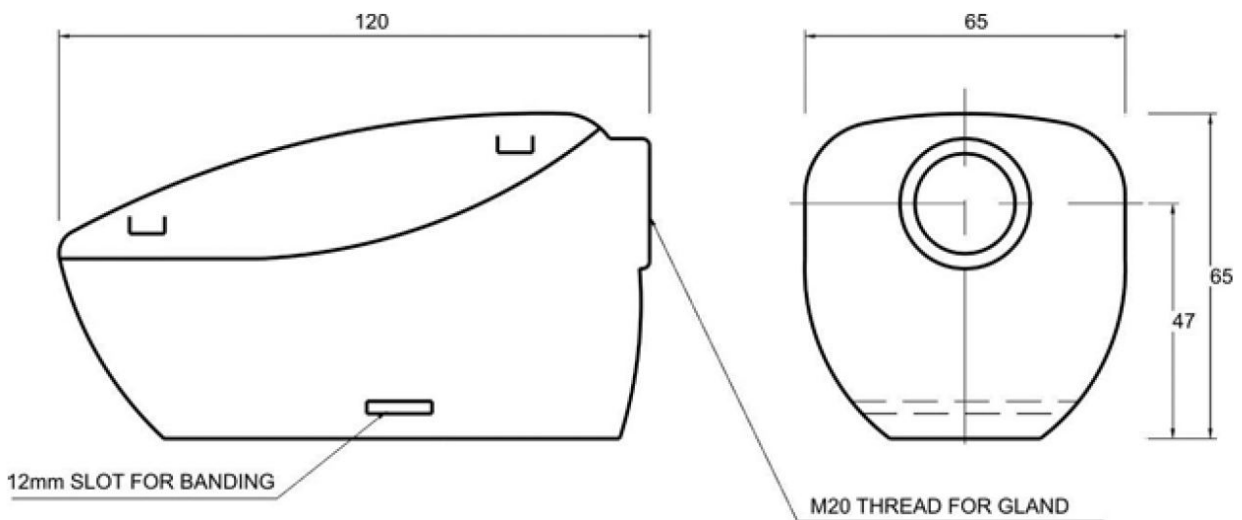
**PC Programming:** Via RS232 or RS485 using Flow Pulse PC

**Programmed Data Integrity:** Via non-volatile RAM

## SUPPLY

**Power Supply:** 18-28 V DC

**Power Consumption:** 2.4 W at 24 V typical, 3 W at 24 V maximum



Flow Pulse Drawing Side and Back

## Delivering the Measure of Possibility

Pulsar Measurement offers worldwide professional support for all of our products, and our network of reps and distributors all offer full support and training. Our facilities in Malvern, UK and Largo, USA are home to technical support teams who are always available to answer your call or attend your site when required. Our global presence, with direct offices in the UK, USA, Canada, and Malaysia allow us to create close relationships with our customers and provide service, support, training, and information throughout the lifetime of your product.

For more information, please visit our website:

[www.pulsarmeasurement.com](http://www.pulsarmeasurement.com)



INFO@PULSARMEASUREMENT.COM

*Pulsar Measurement is a trading name of Pulsar Process Measurement, Ltd.*

*Copyright © 2020 Pulsar Measurement  
Registered Address: 1 Chamberlain Square CS, Birmingham B3 3AX  
Registered No.: 3345604 England & Wales*

### United States

11451 Belcher Road South  
Largo, FL 33773

888-473-9546

### Canada

16456 Sixsmith Drive  
Long Sault, Ont. K0C 1P0

855-300-9151

### United Kingdom

Cardinal Building, Enigma  
Commercial Centre  
Sandy's Road, Malvern WR14 1JJ

+44 (0) 1684 891371

Rev 1.0